

Part number

CAVT 24.5



Brief description:

hoods for two levers, size "104.27", top entry, 3/4" NPT, metal version, IP66

Product description

Version	metal version
Series	hoods for two levers
Product type	with 4 pegs
Variant	top entry
Style	high construction
Family	CLASS enclosures
Size	size "104.27"

Technical data

IP degree of protection	IP66 (and IP69K DIN 40050 - 9)
Cable entry	3/4" NPT

Further technical details

Weight	231,00 g
--------	----------

Approvals / Standards

Quality mark	 (type:4/4X/12),  , EAC
Conformity	CQC, CE

General ordering information

EAN13 code	8015747010733
Tariff number	85369095

Packaging Information

Packaging length	225,00 mm
Packaging height	155,00 mm
Packaging width	265,00 mm
Packaging weight	2,31 kg
Packaging volume	9,24 dm ³
Packaging description	Carton box
Packaging quantity	10 Pcs
Packaging EAN code	8015747121521
Sub-packaging weight	1,16 kg
Sub-packaging description	Plastic packaging
Sub-packaging quantity	5 Pcs
Sub-packaging EAN barcode	8015747010740

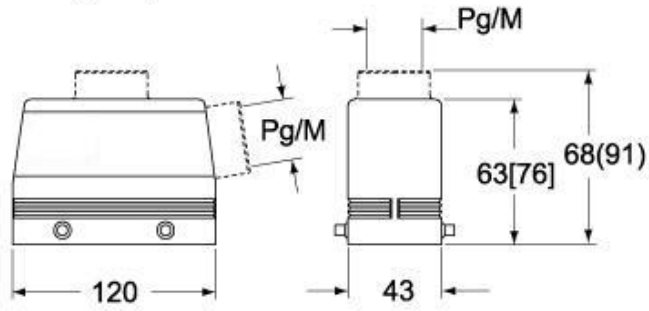
Part number

CAVT 24.5



Catalogue drawings

**CHO [CAO] CHV (CAV) - MHO [MAO]
MHV (MAV)**



CHV G (CAV G) - MHV G (MAV G) - [MFV G]

